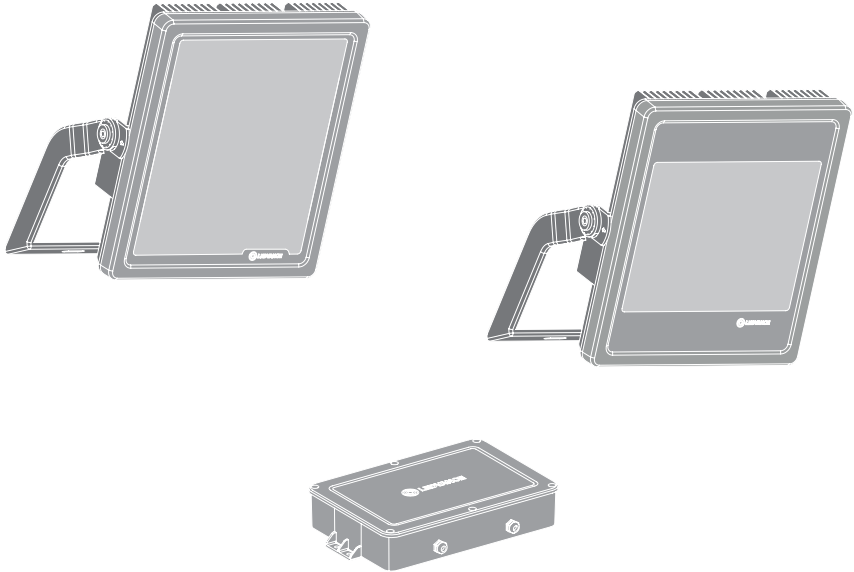


# FLOODLIGHT HIGH MAST



COMPLETE PRODUCT	LUMINAIRE	EAN	POWER SUPPLY	EAN
FL HIGH MAST LUM V 300W 730 SYM R12	FL HIGH MAST LUM V 300W 730 SYM R12	4099854195655	FL HIGH MAST POWER SUPPLY V 300W	4099854196515
FL HIGH MAST LUM V 300W 740 SYM R12	FL HIGH MAST LUM V 300W 740 SYM R12	4099854195662		
FL HIGH MAST LUM V 300W 757 SYM R12	FL HIGH MAST LUM V 300W 757 SYM R12	4099854195679		
FL HIGH MAST LUM V 300W 730 SYM R30	FL HIGH MAST LUM V 300W 730 SYM R30	4099854195778		
FL HIGH MAST LUM V 300W 740 SYM R30	FL HIGH MAST LUM V 300W 740 SYM R30	4099854195815		
FL HIGH MAST LUM V 300W 757 SYM R30	FL HIGH MAST LUM V 300W 757 SYM R30	4099854195846		
FL HIGH MAST LUM V 300W 730 SYM R60	FL HIGH MAST LUM V 300W 730 SYM R60	4099854195891		
FL HIGH MAST LUM V 300W 740 SYM R60	FL HIGH MAST LUM V 300W 740 SYM R60	4099854195907		
FL HIGH MAST LUM V 300W 757 SYM R60	FL HIGH MAST LUM V 300W 757 SYM R60	4099854195914		
FL HIGH MAST LUM V 300W 730 SYM R90	FL HIGH MAST LUM V 300W 730 SYM R90	4099854195976	FL HIGH MAST POWER SUPPLY V 300W DALI	4099854196614
FL HIGH MAST LUM V 300W 740 SYM R90	FL HIGH MAST LUM V 300W 740 SYM R90	4099854196003		
FL HIGH MAST LUM V 300W 757 SYM R90	FL HIGH MAST LUM V 300W 757 SYM R90	4099854196010		
FL HIGH MAST LUM V 300W 730 ASYM 110x30	FL HIGH MAST LUM V 300W 730 ASYM 110x30	4099854196393		
FL HIGH MAST LUM V 300W 740 ASYM 110x30	FL HIGH MAST LUM V 300W 740 ASYM 110x30	4099854196065		
FL HIGH MAST LUM V 300W 757 ASYM 110x30	FL HIGH MAST LUM V 300W 757 ASYM 110x30	4099854196072		

COMPLETE PRODUCT	LUMINAIRE	EAN	POWER SUPPLY	EAN
FL HIGH MAST LUM V 500W 730 SYM R12	FL HIGH MAST LUM V 500W 730 SYM R12	4099854196119	FL HIGH MAST POWER SUPPLY V 500W  or  FL HIGH MAST POWER SUPPLY V 500W DALI	4099854196539  or  4099854196731
FL HIGH MAST LUM V 500W 740 SYM R12	FL HIGH MAST LUM V 500W 740 SYM R12	4099854196218		
FL HIGH MAST LUM V 500W 757 SYM R12	FL HIGH MAST LUM V 500W 757 SYM R12	4099854196256		
FL HIGH MAST LUM V 500W 730 SYM R30	FL HIGH MAST LUM V 500W 730 SYM R30	4099854196287		
FL HIGH MAST LUM V 500W 740 SYM R30	FL HIGH MAST LUM V 500W 740 SYM R30	4099854196324		
FL HIGH MAST LUM V 500W 757 SYM R30	FL HIGH MAST LUM V 500W 757 SYM R30	4099854196331		
FL HIGH MAST LUM V 500W 730 SYM R60	FL HIGH MAST LUM V 500W 730 SYM R60	4099854196362		
FL HIGH MAST LUM V 500W 740 SYM R60	FL HIGH MAST LUM V 500W 740 SYM R60	4099854196379		
FL HIGH MAST LUM V 500W 757 SYM R60	FL HIGH MAST LUM V 500W 757 SYM R60	4099854196386		
FL HIGH MAST LUM V 500W 730 SYM R90	FL HIGH MAST LUM V 500W 730 SYM R90	4099854196393		
FL HIGH MAST LUM V 500W 740 SYM R90	FL HIGH MAST LUM V 500W 740 SYM R90	4099854196423		
FL HIGH MAST LUM V 500W 757 SYM R90	FL HIGH MAST LUM V 500W 757 SYM R90	4099854196430		
FL HIGH MAST LUM V 500W 730 ASYM 110x30	FL HIGH MAST LUM V 500W 730 ASYM 110x30	4099854196447		
FL HIGH MAST LUM V 500W 740 ASYM 110x30	FL HIGH MAST LUM V 500W 740 ASYM 110x30	4099854196454		
FL HIGH MAST LUM V 500W 757 ASYM 110x30	FL HIGH MAST LUM V 500W 757 ASYM 110x30	4099854196461		

ACCESSORIES	EAN
FL HIGH MAST CUT OFF HOOD	4099854216053
FL HIGH MAST WIRE GUARD	4099854216077

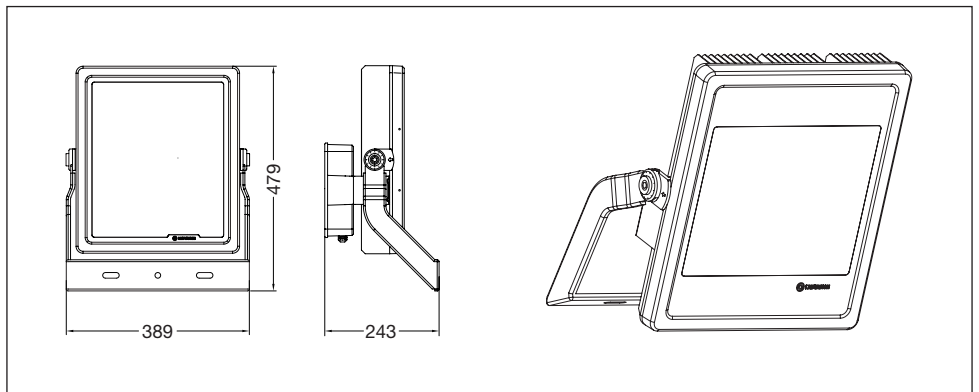
	EAN	l x w x h [mm]	W	VDC	IDC	Im	lm/W	K
FL HIGH MAST LUM V 300W 730 SYM R12	4099854195655	479 x 389 x 243	300	310-360	MAX 0.89A	33600	112	3000
FL HIGH MAST LUM V 300W 740 SYM R12	4099854195662	479 x 389 x 243	300	310-360	MAX 0.89A	36000	120	4000
FL HIGH MAST LUM V 300W 757 SYM R12	4099854195679	479 x 389 x 243	300	310-360	MAX 0.89A	36000	120	5700
FL HIGH MAST LUM V 300W 730 SYM R30	4099854195778	479 x 389 x 243	300	310-360	MAX 0.89A	39600	132	3000
FL HIGH MAST LUM V 300W 740 SYM R30	4099854195815	479 x 389 x 243	300	310-360	MAX 0.89A	42000	140	4000
FL HIGH MAST LUM V 300W 757 SYM R30	4099854195846	479 x 389 x 243	300	310-360	MAX 0.89A	42000	140	5700
FL HIGH MAST LUM V 300W 730 SYM R60	4099854195891	479 x 389 x 243	300	310-360	MAX 0.89A	39600	132	3000
FL HIGH MAST LUM V 300W 740 SYM R60	4099854195907	479 x 389 x 243	300	310-360	MAX 0.89A	42000	140	4000
FL HIGH MAST LUM V 300W 757 SYM R60	4099854195914	479 x 389 x 243	300	310-360	MAX 0.89A	42000	140	5700
FL HIGH MAST LUM V 300W 730 SYM R90	4099854195976	479 x 389 x 243	300	310-360	MAX 0.89A	39600	132	3000
FL HIGH MAST LUM V 300W 740 SYM R90	4099854196003	479 x 389 x 243	300	310-360	MAX 0.89A	42000	140	4000
FL HIGH MAST LUM V 300W 757 SYM R90	4099854196010	479 x 389 x 243	300	310-360	MAX 0.89A	42000	140	5700
FL HIGH MAST LUM V 300W 730 ASYM 110x30	4099854196393	479 x 389 x 243	300	310-360	MAX 0.89A	33600	112	3000
FL HIGH MAST LUM V 300W 740 ASYM 110x30	4099854196065	479 x 389 x 243	300	310-360	MAX 0.89A	36000	120	4000
FL HIGH MAST LUM V 300W 757 ASYM 110x30	4099854196072	479 x 389 x 243	300	310-360	MAX 0.89A	36000	120	5700

	EAN	l x w x h [mm]	W	VDC	IDC	lm	lm/W	K
FL HIGH MAST LUM V 500W 730 SYM R12	4099854196119	479 x 389 x 243	500	310-360	MAX 1.4A	56000	112	3000
FL HIGH MAST LUM V 500W 740 SYM R12	4099854196218	479 x 389 x 243	500	310-360	MAX 1.4A	60000	120	4000
FL HIGH MAST LUM V 500W 757 SYM R12	4099854196256	479 x 389 x 243	500	310-360	MAX 1.4A	60000	120	5700
FL HIGH MAST LUM V 500W 730 SYM R30	4099854196287	479 x 389 x 243	500	310-360	MAX 1.4A	66000	132	3000
FL HIGH MAST LUM V 500W 740 SYM R30	4099854196324	479 x 389 x 243	500	310-360	MAX 1.4A	70000	140	4000
FL HIGH MAST LUM V 500W 757 SYM R30	4099854196331	479 x 389 x 243	500	310-360	MAX 1.4A	70000	140	5700
FL HIGH MAST LUM V 500W 730 SYM R60	4099854196362	479 x 389 x 243	500	310-360	MAX 1.4A	66000	132	3000
FL HIGH MAST LUM V 500W 740 SYM R60	4099854196379	479 x 389 x 243	500	310-360	MAX 1.4A	70000	140	4000
FL HIGH MAST LUM V 500W 757 SYM R60	4099854196386	479 x 389 x 243	500	310-360	MAX 1.4A	70000	140	5700
FL HIGH MAST LUM V 500W 730 SYM R90	4099854196393	479 x 389 x 243	500	310-360	MAX 1.4A	66000	132	3000
FL HIGH MAST LUM V 500W 740 SYM R90	4099854196423	479 x 389 x 243	500	310-360	MAX 1.4A	70000	140	4000
FL HIGH MAST LUM V 500W 757 SYM R90	4099854196430	479 x 389 x 243	500	310-360	MAX 1.4A	70000	140	5700
FL HIGH MAST LUM V 500W 730 ASYM 110x30	4099854196447	479 x 389 x 243	500	310-360	MAX 1.4A	56000	112	3000
FL HIGH MAST LUM V 500W 740 ASYM 110x30	4099854196454	479 x 389 x 243	500	310-360	MAX 1.4A	60000	120	4000
FL HIGH MAST LUM V 500W 757 ASYM 110x30	4099854196461	479 x 389 x 243	500	310-360	MAX 1.4A	60000	120	5700

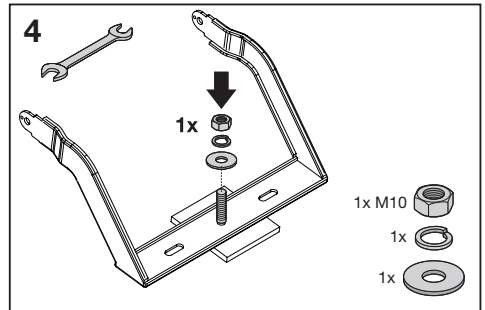
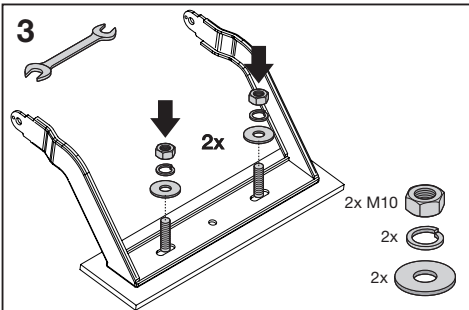
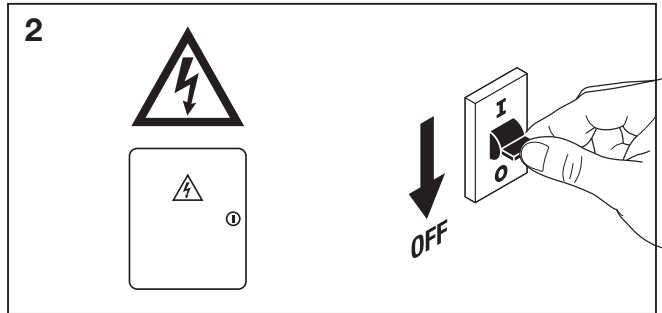
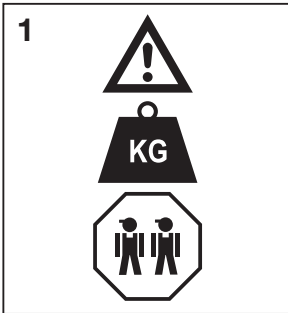
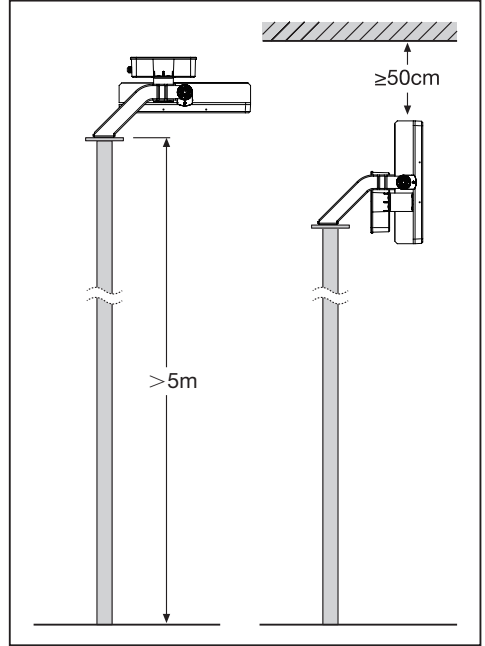
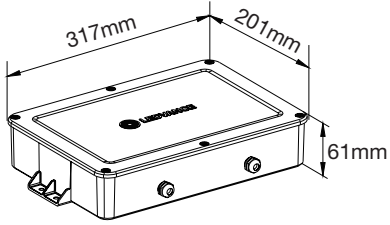
	EAN	IP	IK	∇	R <sub>a</sub>	θ (°C)	PF	⚖️
FL HIGH MAST LUM V 300W 730 SYM R12	4099854195655	66	08	12°	>70	-40° .. +50°	>0.9	8,85kg
FL HIGH MAST LUM V 300W 740 SYM R12	4099854195662	66	08	12°	>70	-40° .. +50°	>0.9	8,85kg
FL HIGH MAST LUM V 300W 757 SYM R12	4099854195679	66	08	12°	>70	-40° .. +50°	>0.9	8,85kg
FL HIGH MAST LUM V 300W 730 SYM R30	4099854195778	66	08	30°	>70	-40° .. +50°	>0.9	8,85kg
FL HIGH MAST LUM V 300W 740 SYM R30	4099854195815	66	08	30°	>70	-40° .. +50°	>0.9	8,85kg
FL HIGH MAST LUM V 300W 757 SYM R30	4099854195846	66	08	30°	>70	-40° .. +50°	>0.9	8,85kg
FL HIGH MAST LUM V 300W 730 SYM R60	4099854195891	66	08	60°	>70	-40° .. +50°	>0.9	8,85kg
FL HIGH MAST LUM V 300W 740 SYM R60	4099854195907	66	08	60°	>70	-40° .. +50°	>0.9	8,85kg
FL HIGH MAST LUM V 300W 757 SYM R60	4099854195914	66	08	60°	>70	-40° .. +50°	>0.9	8,85kg
FL HIGH MAST LUM V 300W 730 SYM R90	4099854195976	66	08	90°	>70	-40° .. +50°	>0.9	8,85kg
FL HIGH MAST LUM V 300W 740 SYM R90	4099854196003	66	08	90°	>70	-40° .. +50°	>0.9	8,85kg
FL HIGH MAST LUM V 300W 757 SYM R90	4099854196010	66	08	90°	>70	-40° .. +50°	>0.9	8,85kg
FL HIGH MAST LUM V 300W 730 ASYM 110x30	4099854196393	66	08	110° x 30°	>70	-40° .. +50°	>0.9	8,85kg
FL HIGH MAST LUM V 300W 740 ASYM 110x30	4099854196065	66	08	110° x 30°	>70	-40° .. +50°	>0.9	8,85kg
FL HIGH MAST LUM V 300W 757 ASYM 110x30	4099854196072	66	08	110° x 30°	>70	-40° .. +50°	>0.9	8,85kg

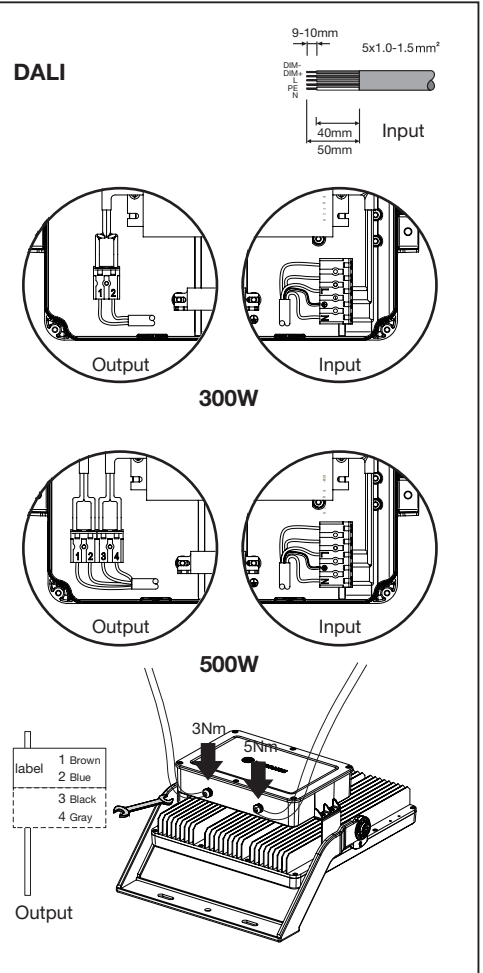
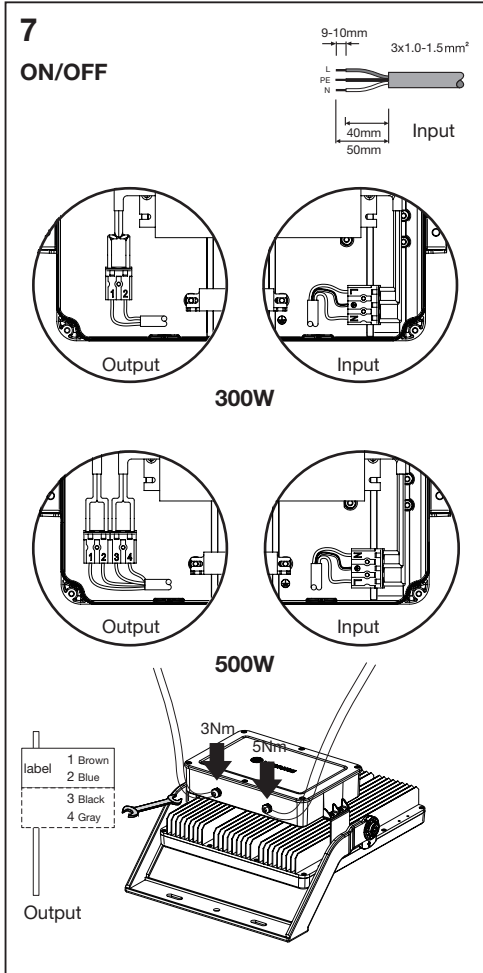
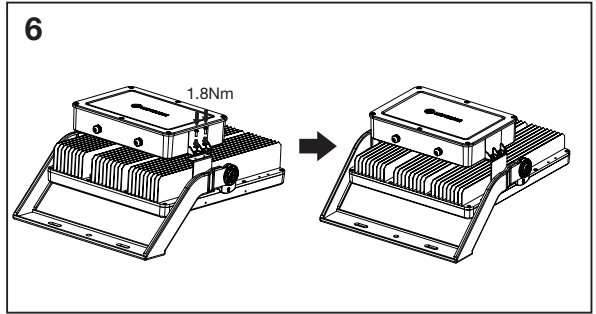
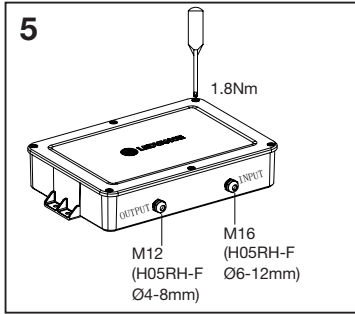
	EAN	IP	IK	▽	R <sub>a</sub>	⊖ (°C)	PF	⊞
FL HIGH MAST LUM V 500W 730 SYM R12	4099854196119	66	08	12°	>70	-40° .. +50°	>0.9	9,70kg
FL HIGH MAST LUM V 500W 740 SYM R12	4099854196218	66	08	12°	>70	-40° .. +50°	>0.9	9,70kg
FL HIGH MAST LUM V 500W 757 SYM R12	4099854196256	66	08	12°	>70	-40° .. +50°	>0.9	9,70kg
FL HIGH MAST LUM V 500W 730 SYM R30	4099854196287	66	08	30°	>70	-40° .. +50°	>0.9	9,70kg
FL HIGH MAST LUM V 500W 740 SYM R30	4099854196324	66	08	30°	>70	-40° .. +50°	>0.9	9,70kg
FL HIGH MAST LUM V 500W 757 SYM R30	4099854196331	66	08	30°	>70	-40° .. +50°	>0.9	9,70kg
FL HIGH MAST LUM V 500W 730 SYM R60	4099854196362	66	08	60°	>70	-40° .. +50°	>0.9	9,70kg
FL HIGH MAST LUM V 500W 740 SYM R60	4099854196379	66	08	60°	>70	-40° .. +50°	>0.9	9,70kg
FL HIGH MAST LUM V 500W 757 SYM R60	4099854196386	66	08	60°	>70	-40° .. +50°	>0.9	9,70kg
FL HIGH MAST LUM V 500W 730 SYM R90	4099854196393	66	08	90°	>70	-40° .. +50°	>0.9	9,70kg
FL HIGH MAST LUM V 500W 740 SYM R90	4099854196423	66	08	90°	>70	-40° .. +50°	>0.9	9,70kg
FL HIGH MAST LUM V 500W 757 SYM R90	4099854196430	66	08	90°	>70	-40° .. +50°	>0.9	9,70kg
FL HIGH MAST LUM V 500W 730 ASYM 110x30	4099854196447	66	08	110° x 30°	>70	-40° .. +50°	>0.9	9,70kg
FL HIGH MAST LUM V 500W 740 ASYM 110x30	4099854196454	66	08	110° x 30°	>70	-40° .. +50°	>0.9	9,70kg
FL HIGH MAST LUM V 500W 757 ASYM 110x30	4099854196461	66	08	110° x 30°	>70	-40° .. +50°	>0.9	9,70kg

FL HIGH MAST						 <b>&lt;46 kg</b>	 <b>230VAC</b>			
	S/α	α=0°	α=30°	α=60°	α=90°		B32	C32	B16	C16
<b>300W</b>	S1	0.03 m <sup>2</sup>	0.10 m <sup>2</sup>	0.13 m <sup>2</sup>	0.14 m <sup>2</sup>	<b>&lt;53 kg</b>	9	14	4	7
	S2	0.14 m <sup>2</sup>	0.13 m <sup>2</sup>	0.10 m <sup>2</sup>	0.03 m <sup>2</sup>					
	S3	0.04m <sup>2</sup>	0.04m <sup>2</sup>	0.04m <sup>2</sup>	0.04 m <sup>2</sup>					
<b>500W</b>	S1	0.03 m <sup>2</sup>	0.10 m <sup>2</sup>	0.13 m <sup>2</sup>	0.14 m <sup>2</sup>	8	11	4	5	
	S2	0.14 m <sup>2</sup>	0.13 m <sup>2</sup>	0.10 m <sup>2</sup>	0.03 m <sup>2</sup>					
	S3	0.04m <sup>2</sup>	0.04m <sup>2</sup>	0.04m <sup>2</sup>	0.04 m <sup>2</sup>					

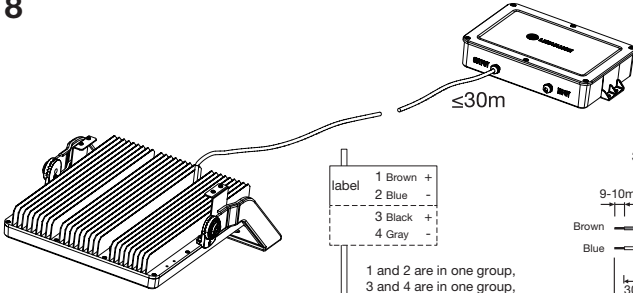


**FL HIGH MAST POWER SUPPLY V**  
300W/500W



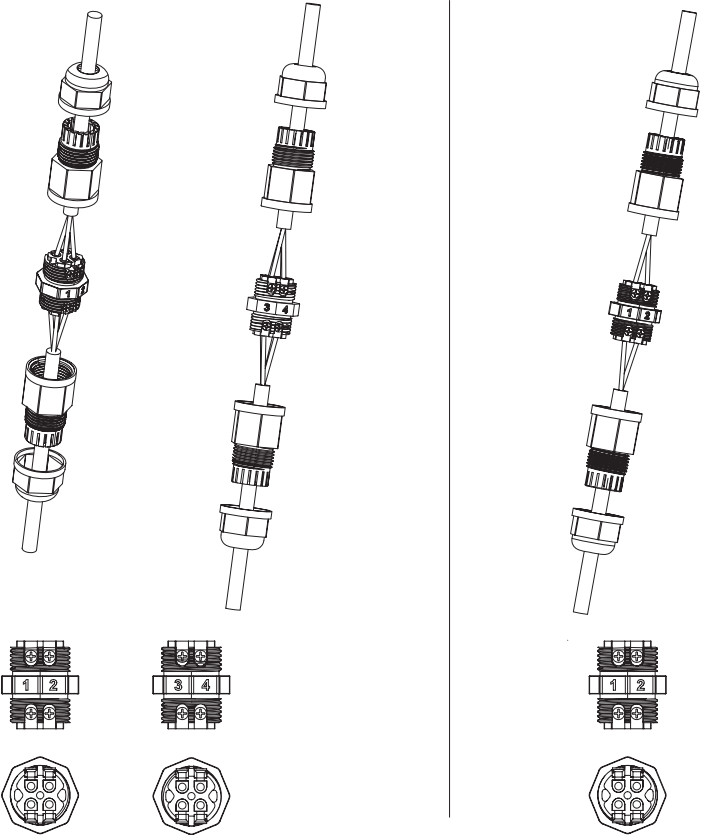
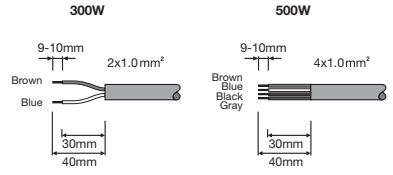


8

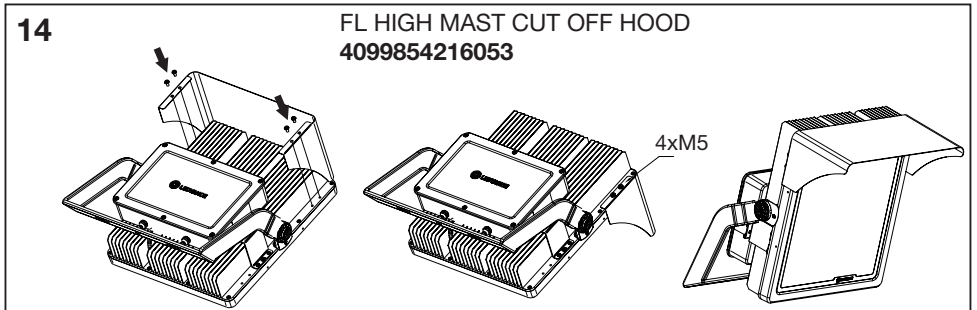
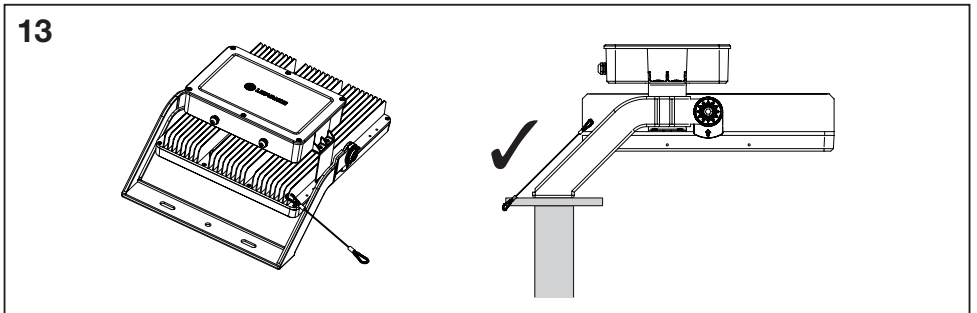
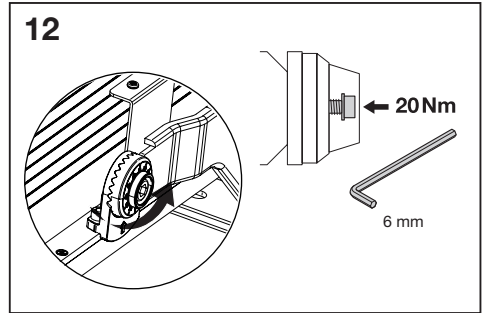
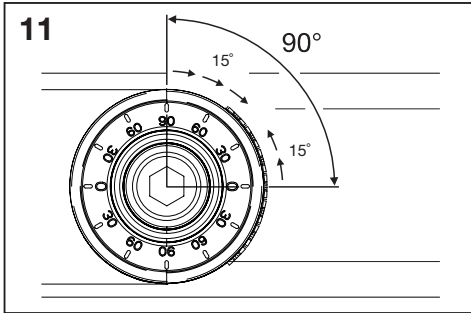
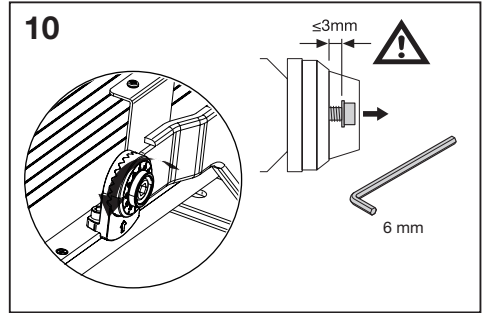
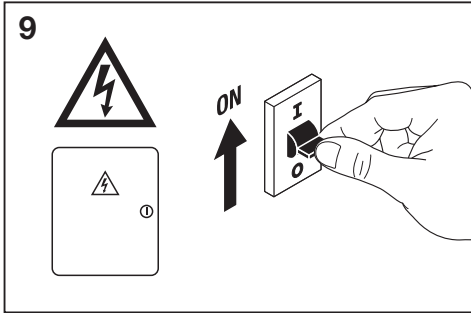


label	1	Brown	+
	2	Blue	-
	3	Black	+
	4	Gray	-

1 and 2 are in one group,  
3 and 4 are in one group,  
and cannot be crossed.



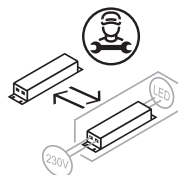
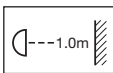
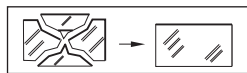
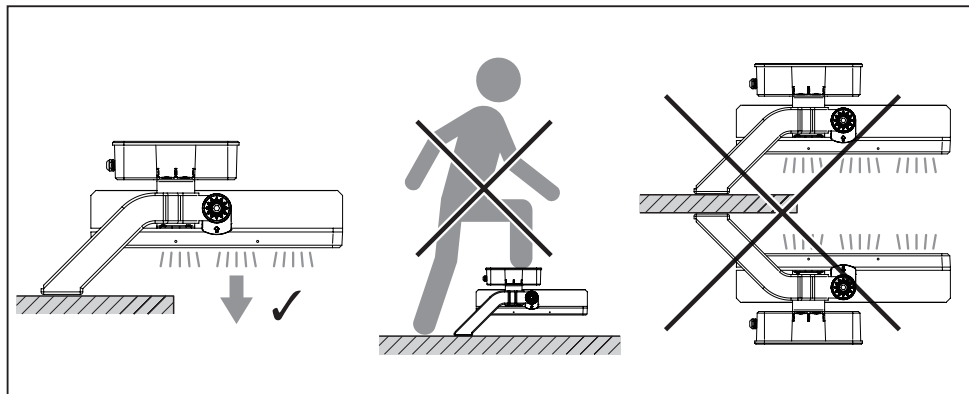
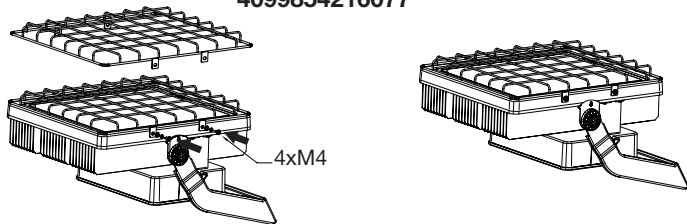
1234 corresponds to 1234 on the line label.





15

FL HIGH MAST WIRE GUARD  
4099854216077



© LEDVANCE Ltd, Aquila House  
Delta Crescent, Westbrook, Warrington  
WA5 7NR, United Kingdom



FR  
Cet appareil et ses accessoires se recyclent

À DÉPOSER EN MAGASIN

À DÉPOSER EN DÉCHÈTERIE

Points de collecte sur [www.quefairedemesdechets.fr](http://www.quefairedemesdechets.fr)

G10449057  
G11174751

11.10.23



LEDVANCE GmbH  
Steinerne Furt 62  
86167 Augsburg, Germany  
[www.ledvance.com](http://www.ledvance.com)