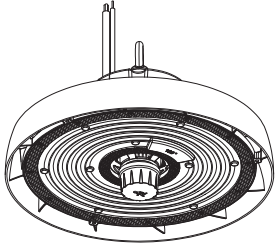
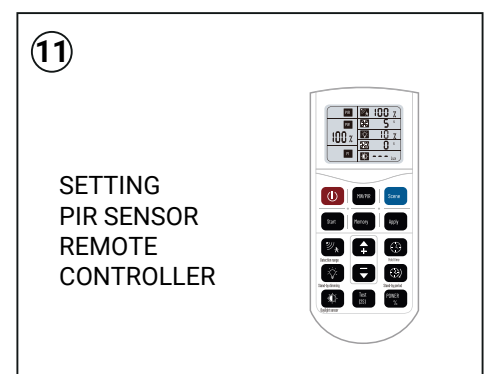
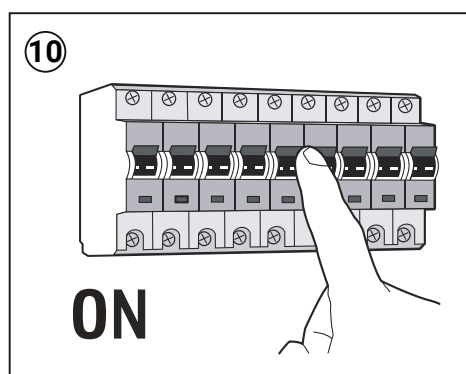
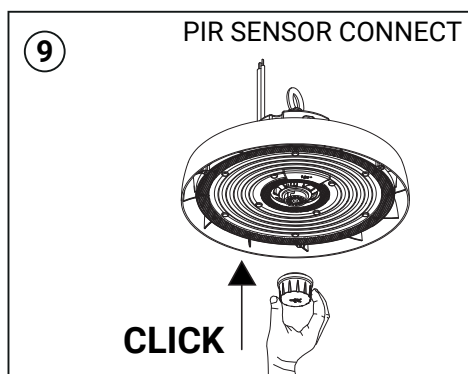
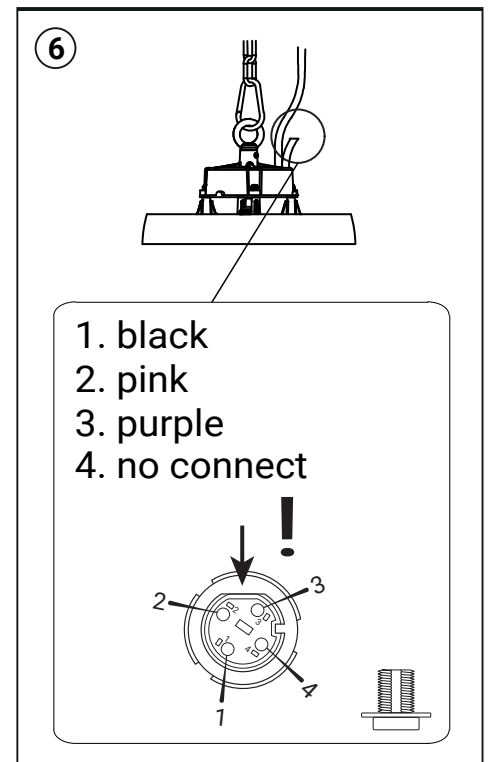
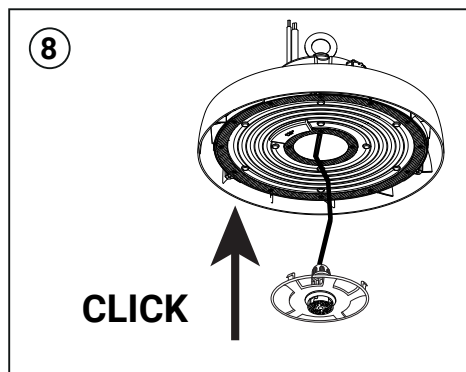
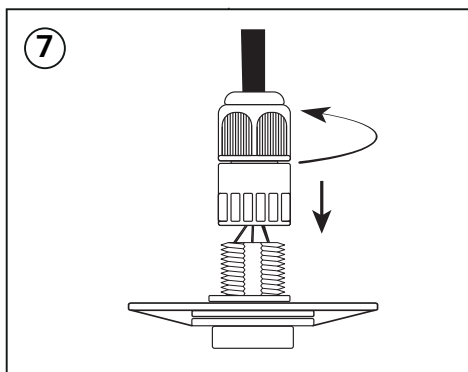
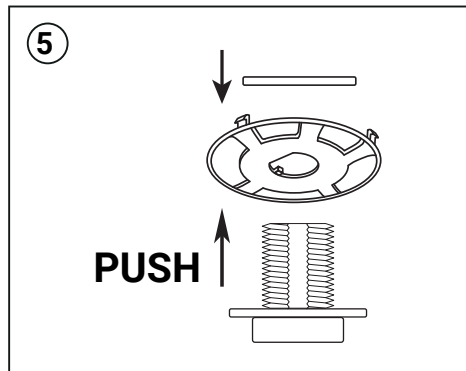
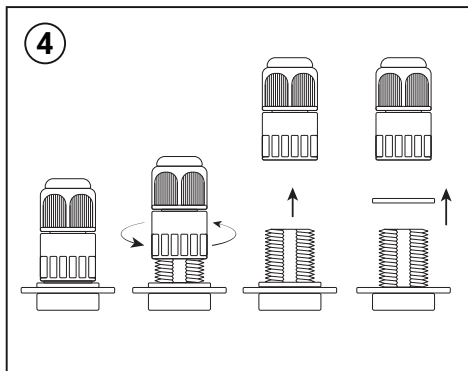
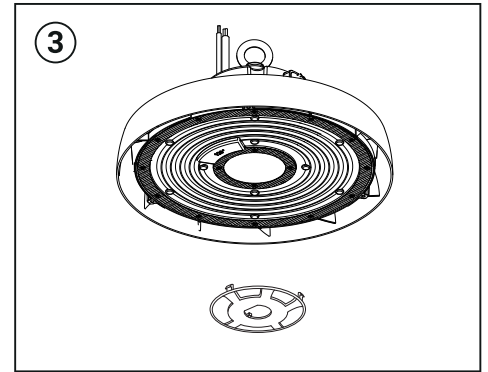
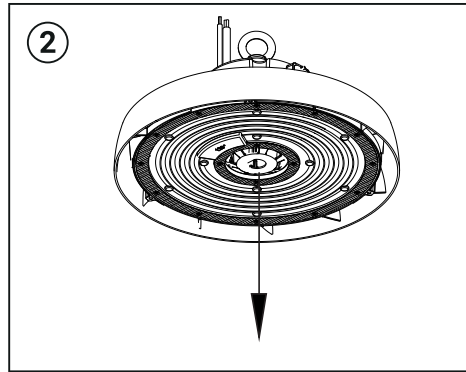
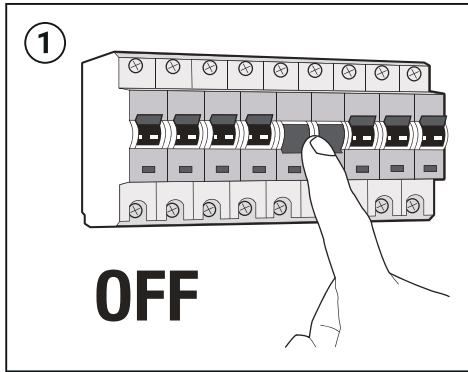


HBAY 31 PIR SENSOR



The installation may only be carried out by a technician
 Nur ein Techniker kann die Installation durchführen
 L'installazione può essere eseguita solo da un tecnico
 Instalaci smí provádět pouze technik
 Inštaláciu môže vykonať iba technik



SCREEN DISPLAY, MEMORY & APPLY FUNCTION, OPTIONAL SCENES Briefing of Button Functions

Buttons	Function	Performance
	ON/OFF	Turn ON or OFF the sensor.
	MMW/PIR	Exchange from Microwave detection to PIR detection, for future use.
	Reset	Press it to start detection programming; before pressing any other buttons, the screen shows default programming (Detection Area:100%, Holdtime 5S, Daylight Disable, Standby Dimming 10%, Standby Period 0S)
	Start	Press it before you try to memorize program into the remote; After pressing it, S on the screen will blink and keeping blinking while making the program.
	Memory	Press it after programming, the blinking S will become a solid M, that means the program has been well memorized.
	Apply	Press it to deliver the preset program to the specific sensors; every press will make the whole screen blink gently.
	Detection area	Also known as "sensitivity", 100% means the highest sensitivity and longest distance. Press it, specific icon on the screen will blink and press the + - buttons to adjust.
	Hold time	The period that light will stay illuminated 100% after no motion's detected; Press it, specific icon on the screen will blink and press the +- buttons to adjust.
	Daylight Threshold	The preset lux level to compare with ambient brightness when motion gets detected; Press it, specific icon on the screen will blink and press the + - buttons to adjust.
	Stand-by period	The period after holdtime, during which the light keeps standby dimming level; Press it, specific icon on the screen will blink and press the + - buttons to adjust.
	Stand-by dimming level	After holdtime, the light will dim from 100% to optional standby dimming levels; Press it, specific icon on the screen will blink and press the + - buttons to adjust.
	UP	The main functional buttons to adjust the factors to wanted level.
	DOWN	
	POWER	Supports to manually change dimming output in detection mode; Press it, specific icon on the screen will blink and press the + - buttons to adjust.
	Test mode	Supports to check if the sensor works correctly with a short 2S holdtime; Press it and the holdtime will change to 2S, and it can't be memorized.

HOW TO USE HD05R

1. SENSOR PROGRAMMING

1. ON/OFF button to turn on the light
2. SCENE button to start programming
3. Choose functional button of detection area, see icon blinking on the LCD screen display then use + - buttons to change
4. Same programming with all the other functional buttons of holdtime ,standby dimming level, standby period and daylight threshold
5. Done and leave the remote.

*Icon keeps blinking on the screen for 5S that means the program will then be kept after 5S.

*Each press will make sensor dim down light then back to 100%, it means remote signal has been well received.

2. MEMORY AND APPLY

@the 1st sensor

1. ON/OFF button to turn on the light
2. SCENE button to start programming
3. START button

4. Choose functional button of detection area, see icon blinking on the LCD screen display then use + - buttons to change

5. Same programming with all the other functional buttons of holdtime ,standby dimming level, standby period and daylight threshold

6. MEMORY button

7. APPLY button

@the other sensors

1. ON/OFF button to turn on the light
2. SCENE button to start programming
3. APPLY button

3. MANULLY DIMMING

ON/OFF mode

1. ON/OFF button to turn on the light
2. Press +- button to dim light directly, it dims from 10% to 100%

DIMMING mode

1. ON/OFF button to turn on the light
2. SCENE button to start programming
3. POWER button

4. +- buttons to dim light, but it only dims from 60% to 100%; 50% is one of the standby dimming level options

* Number on LCD screen display may keep changing 10%-100%.

Model: HD05R

